

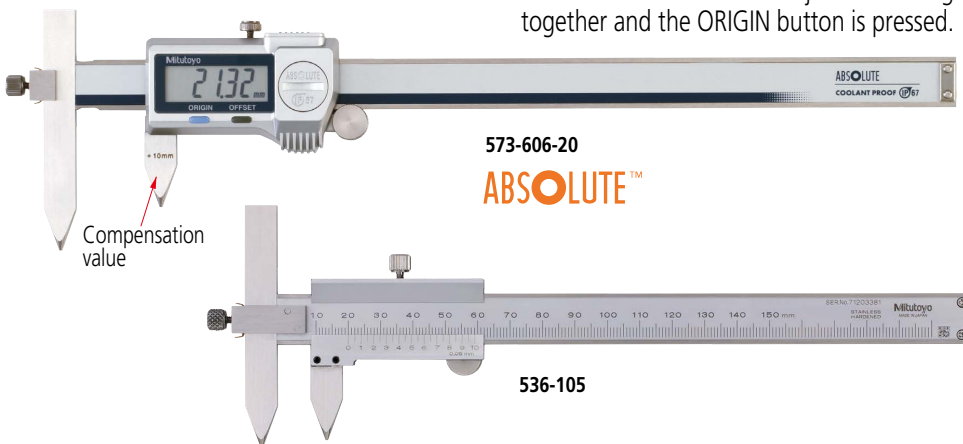
# Calipers

An industry standard measuring tool

## Offset Centerline Caliper SERIES 573, 536 — ABSOLUTE Digimatic and vernier types

**MeasurLink<sup>®</sup> ENABLED**  
Data Management Software by Mitutoyo

- Specially designed for hole Center-to-Center measurements on the same, or offset, planes.
- Digimatic models are IP67 Absolute type. Slider action is smooth, firm and comfortable.
- Direct reading of pitch measurements is available due to the offset-value setting function.
- Allows integration into statistical process control and measurement systems for models with measurement data output connector. (Refer to page A-3.)
- Dedicated calibration and inspection tool can be made to order.
- Digimatic models need the compensation value (engraved on the moving jaw) added to the displayed value for correct measurement. However, the featured Offset function enables this to be done easily just by pressing the OFFSET button after the jaws are brought together and the ORIGIN button is pressed.



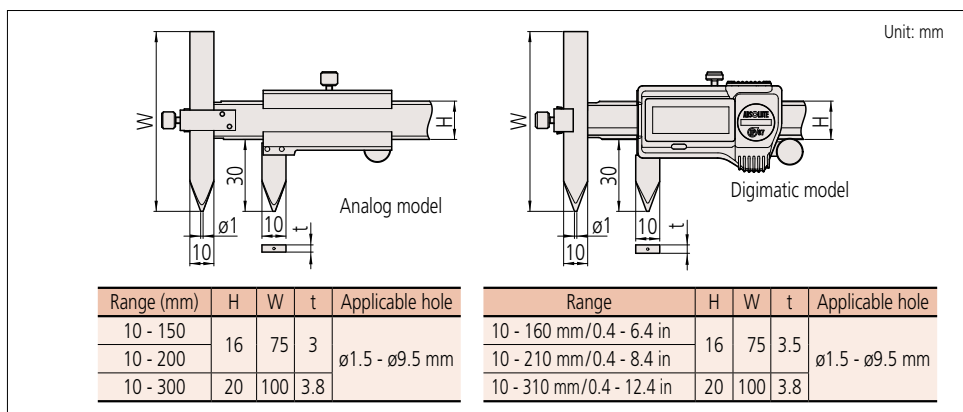
### SPECIFICATIONS

Metric Digimatic model		
Order No.	Range (mm)	Accuracy (mm)
573-605-20	10.1 - 160	±0.03
573-615-20*	10.1 - 160	±0.03
573-606-20	10.1 - 210	±0.03
573-616-20*	10.1 - 210	±0.03
573-608-20	10.1 - 310	±0.04
573-618-20*	10.1 - 310	±0.04

\* Without thumb roller

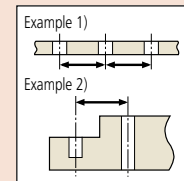
Metric Analog model		
Order No.	Range (mm)	Accuracy (mm)
536-105	10.1 - 150	±0.05
536-106	10.1 - 200	±0.05
536-107	10.1 - 300	±0.08

### DIMENSIONS



MeasurLink<sup>®</sup> ENABLED  
Data Management Software by Mitutoyo

Products equipped with the measurement data output function can be connected to the measurement data network system MeasurLink (refer to page A-5 for details).



### Technical Data

- Accuracy: Refer to the list of specifications. (excluding quantizing error for Digimatic models)
- Resolution\*<sup>1</sup>: 0.01 mm or 0.0005 in / 0.01 mm
- Graduation\*<sup>2</sup>: 0.05 mm
- Display\*<sup>1</sup>: LCD
- Scale type\*<sup>1</sup>: ABSOLUTE electromagnetic induction linear encoder
- Max. response speed\*<sup>1</sup>: Unlimited
- Battery: SR44 (1 pc), **938882**, for initial operational checks (standard accessory)
- Battery life\*<sup>1</sup>: Approx. 5 years under normal use
- Dust/Water protection level\*<sup>1</sup>: IP67 (IEC 60529)\*<sup>3</sup>
- \*<sup>1</sup> Digimatic models
- \*<sup>2</sup> Analog models
- \*<sup>3</sup> Rustproofing shall be applied after use if caliper was in contact with coolant.

### Optional Accessories for Digimatic Models

For details, refer to page A-27.

- **959143**: Data hold unit
- Connecting cables for **IT/DP/MUX**
- **05CZA624**: SPC cable with data button (1 m)
- **05CZA625**: SPC cable with data button (2 m)
- USB Input Tool Direct
- **06AFM380A**: SPC cable for **USB-ITN-A** (2 m)
- Connecting cables for **U-WAVE-T**
- **02AZD790A**: SPC cable with data button (160 mm)
- **02AZE140A**: SPC cable for foot switch

### Wireless Data Output U-WAVE<sup>®</sup>

- **U-WAVE-TC: 264-620** (IP67 type)
- **264-621** (Buzzer type)
- **U-WAVE-TCB Transmitter (Mitutoyo Bluetooth<sup>®</sup> U-WAVE)**
- **264-624** (IP type)
- **264-625** (Buzzer type)
- Refer to page A-15 for details.
- Connecting unit for **U-WAVE-TC/TCB**
- **02AZF310** (IP67 type)
- Note: IP67 model is water/dust-proofed suitable for the factory floor.
- Buzzer type is not water/dust-proofed.
- Refer to pages A-16 and A-18 for details.
- Note: Cannot be used with **573-708-20**
- **05FAJ735**: Inspection Equipment For Offset Caliper

