

## MG series INCLINED LIQUID COLUMN MANOMETERS

Pressure / Depression

The MG range of inclined liquid column manometers, developed and manufactured by KIMO, measure slight variations in pressure, depression or differential pressure of air or gas. They are for use in the following applications : treatment of air, ventilation, air conditioning, heating, dust elimination...



### KEY POINTS

- Zero adjustment by moving the slide strip
- Safety reservoir enabling momentaneous overshooting of the scale
- Integrated spirit level for adjusting horizontality
- Supplied with a white PVC support, two screws and two rawplugs, two 487 connectors and a bottle of AWS 10 liquid

### MEASURING RANGE

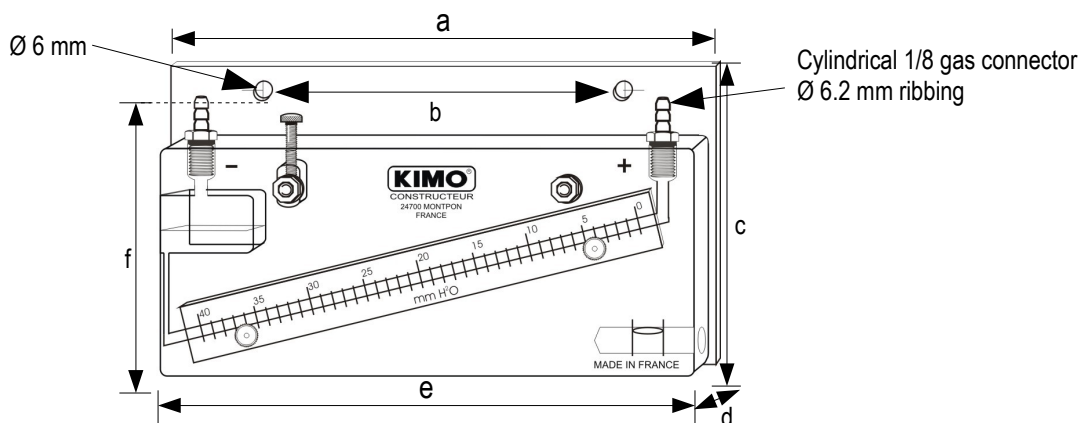
Reference	Measuring range*		Sensitivity scale For 1 mm CE or 10 PA	Resolution
	mm CE	Pascal		
MG 20	0 – 20	0 – 200	8 mm	0,5 mm CE or 5 Pa
MG 50	0 – 50	0 – 500	3 mm	1 mm CE or 10 Pa
MG 80	0 – 80	0 – 800	2.5 mm	1 mm CE or 10 Pa

\* Also exists in DaPa

## TECHNICAL FEATURES

<b>Recommended range of use</b>	From +5 to +30°C
<b>Possible range of use</b>	From -30 to +60°C
<b>Maximum static pressure</b>	6 bars
<b>Manometer body</b>	Transparent 15 mm thick Altuglas
<b>Liquid column</b>	Entirely bored in the solid block, Ø 4 mm
<b>Graduated slide strip</b>	Transparent Altuglas. Cross-section 20 X 2 mm
<b>Zero adjustment</b>	By moving the graduated slide strip, travel 20 mm. Fixed via milled, nickel-plated brass screw
<b>Positioning</b>	Horizontal positioning via integrated spirit level and milled, nickel-plated brass adjusting screw, vertical travel 12 mm.
<b>Manometric liquid</b>	AWS 10 red oil, density 0.87 at 15°C
<b>Reservoir capacity</b>	20 ml
<b>Connection</b>	Ø 5 X 8 mm semi-rigid crystal tube, on Ø 6,2 mm ribbed, nickel-plated brass connectors, 1/8 gas thread
<b>Wall-mounted</b>	With or without white PVC support

## DIMENSIONS



Reference	MG 20	MG 50	MG 80
a	196 mm	178 mm	219 mm
b	128 mm	110 mm	151 mm
c	80 mm	117 mm	154 mm
d	25 mm	25 mm	25 mm
e	192 mm	174 mm	215 mm
f	55 mm	109 mm	129 mm
Weight	320 g	420 g	660 g

## MOUNTING

- Mount** on a wall or a vertical partition wall with two maximum Ø 5 x 25 mm screws (supplied).
- Set horizontality** using the integrated level and the milled adjusting screw.
- Unscrew** the connector on the reservoir and **slowly pour the manometric liquid** to zero point on the graduation.
- Remount** the connector without overtightening.
- Connect** the manometer with the Ø 5 X 8 mm crystal tube to the pressure or depression source to be checked.

**NOTE :**  
 For a **pressure** measurement.....Connect the crystal tube to the **right-hand connector (+)**  
 For a **depression** measurement.....Connect the crystal tube to the **left-hand connector (-)**  
 For a **differential pressure**.....Connect the highest pressure to the **right-hand connector (+)** and the lowest pressure to the **left hand connector (-)**

## MAINTENANCE :

MG manometers require no special maintenance other than simply changing the reading liquid once a year.

[www.kimo.fr](http://www.kimo.fr)

Distributed by :



**EXPORT DEPARTMENT**  
 Tel : + 33. 1. 60. 06. 69. 25 - Fax : + 33. 1. 60. 06. 69. 29  
 e-mail : export@kimo.fr